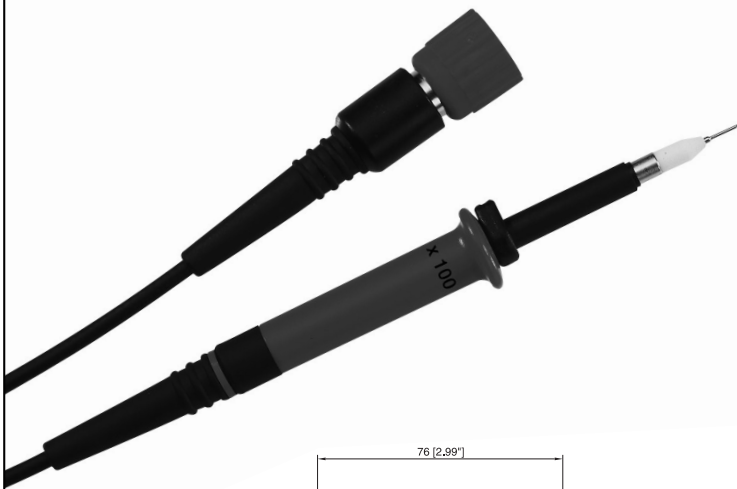


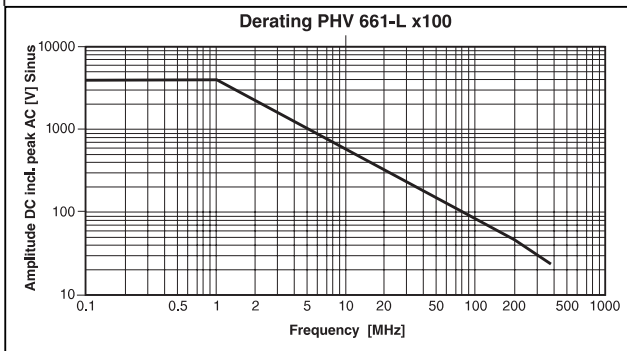
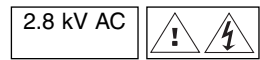
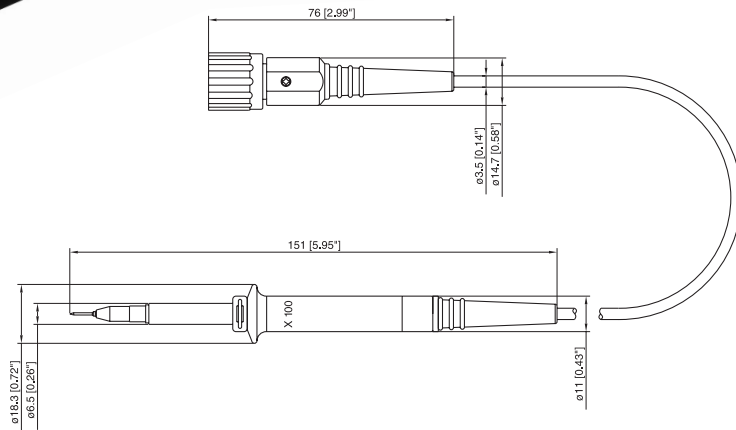
PHV 6XX-L



These high voltage x100 attenuation probes are designed to maximize the breakdown voltage.

Accessories supplied with these probes are specifically designed to fit these probes.

- Voltages up to 6.0 kV Pulse, up to 4.0 kV DC incl. pkAC and up to 2.8 kV AC eff
- System Bandwidth up to 380 MHz
- System Rise Time 0.95 nsec
- HF Adjustment
- Additional DC Fine Adjustment $\pm 3\%$
- Coaxial Design
- PHV 651-L and PHV 66X-L Probes are supplied in a rigid case.
- Accessory Pack incl.



Accessory Packs include:

PHV 64X-L 1 each - Spring Contact Tip 0.8 mm (mounted in the Probe), Rigid Tip 0.8 mm, Sprung Hook III red long, BNC Adapter long, Insulating Cap red, Ground Lead 22 cm (9") and Trimmer Tool

PHV 65X-L/Supplied in a case includes accessory PHV 66X-L 64X-L plus 1 each Safety Alligator Clip red and black, 1 Flex. Safety 4 mm Adapter and 1 Safety Ground Lead with 4 mm Plug

Model	Part No	Attenuation	Input Impedance		System-Bandwidth [MHz] (-3dB)	Rise Time [nsec]	Cable-length [m]	Comp. Range [pF]	Max. Input Voltage [kV]		
			R[M Ω]	C[pF]					AC _{rms}	VDC incl. pkAC	Impulse Peak
PHV 641-L	86L-641-000	X 100	50	<6	380	<0.95	1.2	10 ... 50	2.0	3.0	4.0
PHV 642-L	86L-642-000	X 100	50	<6.5	300	<1.2	2.0	10 ... 50	2.0	3.0	4.0
PHV 643-L	86L-643-000	X 100	50	<7	150	<2.4	3.0	15 ... 55	2.0	3.0	4.0
PHV 651-L	86L-651-000	X 100	50	<6.5	380	<0.95	1.2	10 ... 50	2.4	3.5	5.0
PHV 652-L	86L-652-000	X 100	50	<7	300	<1.2	2.0	10 ... 50	2.4	3.5	5.0
PHV 653-L	86L-653-000	X 100	50	<7.5	150	<2.4	3.0	15 ... 55	2.4	3.5	5.0
PHV 661-L	86L-761-000	X 100	50	<6.5	380	<0.95	1.2	10 ... 50	2.8	4.0	6.0
PHV 662-L	86L-762-000	X 100	50	<7	300	<1.2	2.0	10 ... 50	2.8	4.0	6.0
PHV 663-L	86L-763-000	X 100	50	<7.5	150	<2.4	3.0	15 ... 55	2.8	4.0	6.0

Specifications subject to change without notice.

PMK Products for Measurement & Communication Technologies GmbH

Industriestrasse 17 · D-63150 Heusenstamm · Germany · Ph. +49 (61 04) 64 53 · Fax +49 (61 04) 64 57 · e-mail: sales@pmk-gmbh.com · www.pmk-gmbh.com