

PHV 4002

- For HV Applications up to 40 kV Pulse Peak, 20 kV DC incl. peak AC, 14 kV AC rms
- System Bandwidth 100 MHz
- Simple HF Adjustment
- DC Fine Adjustment $\pm 3\%$
- VCR: < 0.6 ppm/V
- Optional Available with 0.15 ppm/V
- Supplied in a rigid case
- Accessory Pack incl.

Examples of measurements using PHV probes are: All types of engine ignition systems, low voltages & medium voltage systems, laser technology, drive engineering, power drivers, variable frequency inverters and frequency converters.

The PHV 4002 with 100 MHz system bandwidth will enable the user to measure and view fast signals.

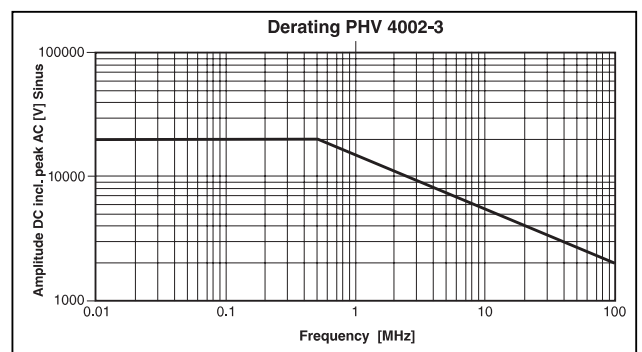
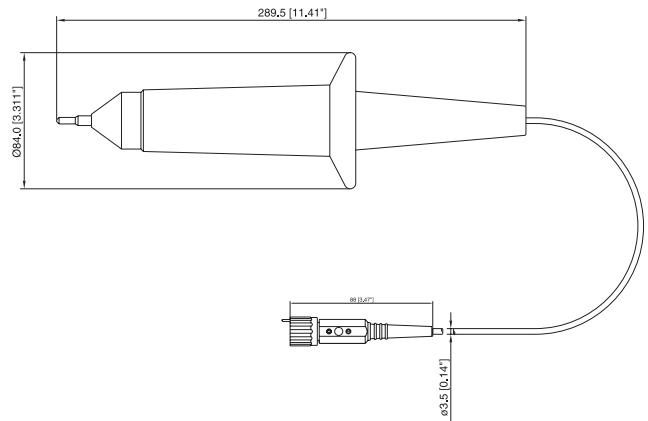


Accessory Pack includes:

PHV 4002 1 each - screw tip with 4 mm connector (mounted in the Probe), screw hook, Ground Lead 15 cm (7") and Trimmer Tool

Optional Accessories:

- Different divider ratio available please contact factory.
- Cable length up to 12 meter (reduction of bandwidth)
- Additional probe cable insulation:
 - Silicone insulation
 - External insulation of the probe cable > 20 kV breakdown
 - Dirty environment
- Special steel cable for improved mechanical stability
- Readout option



Note: Please see pages 22 and 23 for information on our HV probe calibration generators.

Model	Part No	Attenuation	Input Impedance		System-Bandwidth [MHz] (-3dB)	Rise Time [nsec]	Cable-length [m]	Comp. Range [pF]	Max. Input Voltage [kV]		
			R[MΩ]	C[pF]					ACrms	VDC incl. pkAC	Impulse Peak
PHV 4002-3	864-023-000	X1000	100	<2.5	100	3.5	3	10 ... 50	14	20	40

Specifications subject to change without notice.